



## OUTSTANDING FEATURES

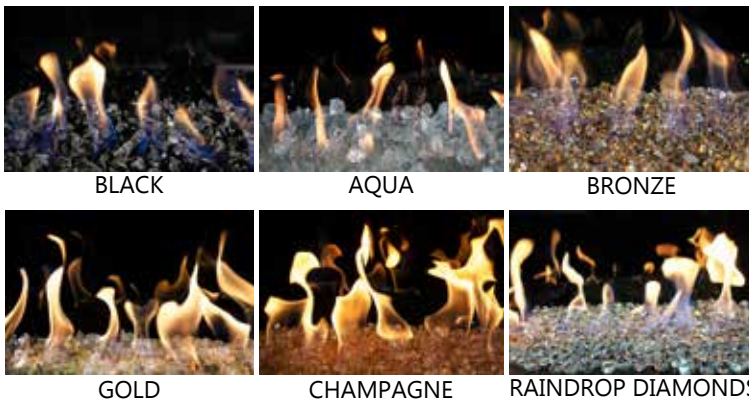
- Modern, Frameless, Linear, Outdoor Fireplace
- Front Facing, See Through, & Corner Options
- High Grade Stainless Steel Design
- 2 Opening Heights : 16" and 24"
- Electronic Ignition
- Tempered Glass Wind Guard
- Stainless Steel Storage Doors
- Amazing Multi-Colored LED System
- Natural Gas or Propane Options

### MODEL SIZE

MODEL NAME	A	B	C	D	E
Flare-VDC-100	99"	97 13/16"	27 3/8"	16"	14 9/16"
Flare-VDC-80	80 14/16"	79 11/16"	27 3/8"	16"	14 9/16"
Flare-VDC-70	70 11/16"	69 7/16"	27 3/8"	16"	14 9/16"
Flare-VDC-60	62 13/16"	61 9/16"	27 3/8"	16"	14 9/16"
Flare-VDC-50	54 2/16"	52 14/16"	27 3/8"	16"	14 9/16"
Flare-VDC-100-H	99"	97 13/16"	35 1/4"	24"	14 9/16"
Flare-VDC-80-H	80 14/16"	79 11/16"	35 1/4"	24"	14 9/16"
Flare-VDC-70-H	70 11/16"	69 7/16"	35 1/4"	24"	14 9/16"
Flare-VDC-60-H	62 13/16"	61 9/16"	35 1/4"	24"	14 9/16"
Flare-VDC-50-H	54 2/16"	52 14/16"	35 1/4"	24"	14 9/16"

### MEDIA OPTIONS

\*FOR ALL AVAILABLE MEDIA OPTIONS PLEASE VISIT [FLAREFIREPLACES.COM](http://FLAREFIREPLACES.COM)



BLACK

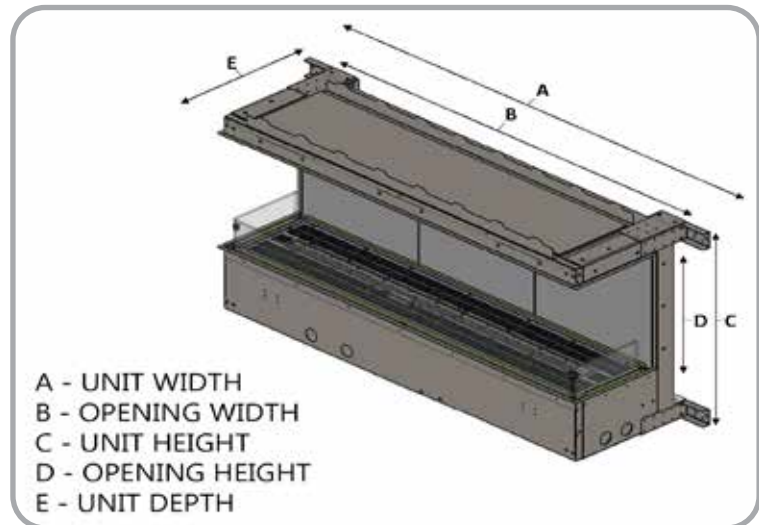
AQUA

BRONZE

GOLD

CHAMPAGNE

RAINDROP DIAMONDS



### FEATURES



RGB LEDS



STAINLESS STEEL LINEAR DESIGN



REFLECTIVE BACK



STORM DOORS INCLUDED



ADVANCED 3D BURNER